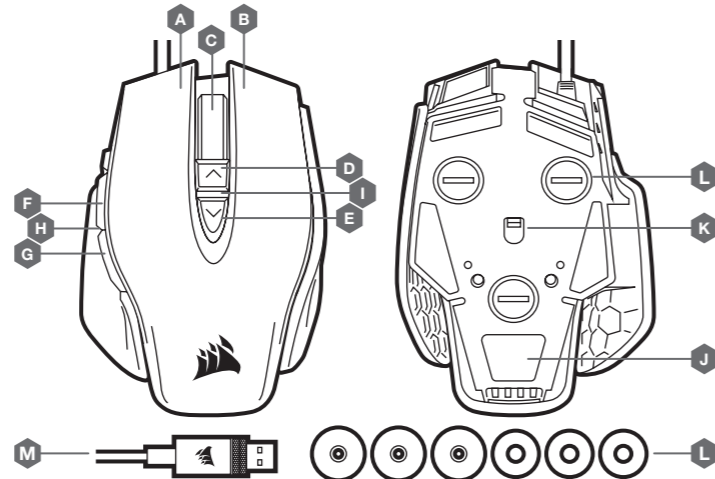


M65 RGB ELITE

TUNABLE FPS GAMING MOUSE

GETTING TO KNOW YOUR MOUSE

All mouse buttons are programmable through software. These represent the default settings.



- | | |
|-------------------------|---------------------------|
| A — LEFT CLICK BUTTON | H — SNIPER BUTTON |
| B — RIGHT CLICK BUTTON | I — DPI LED INDICATOR |
| C — MIDDLE CLICK BUTTON | J — PTFE GLIDE PADS |
| D — DPI UP BUTTON | K — OPTICAL GAMING SENSOR |
| E — DPI DOWN BUTTON | L — WEIGHT SYSTEM |
| F — FORWARD BUTTON | M — USB CONNECTION CABLE |
| G — BACKWARD BUTTON | |

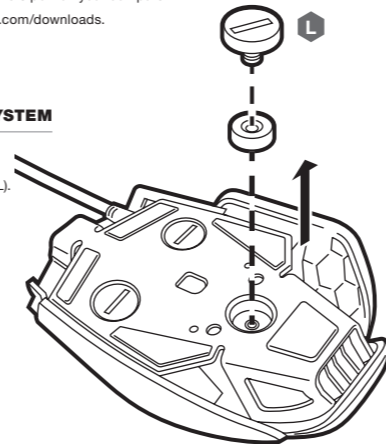
SETTING UP YOUR MOUSE

- > Turn on your computer.
- > Connect the mouse to available USB 2.0 or USB 3.0 port on your computer.
- > Download the iCUE software from www.corsair.com/downloads.
- > Run the installer program.
- > Follow instructions for installation.

ADJUSTING THE MOUSE WEIGHT SYSTEM

The weight of your M65 RGB ELITE can be customized for your style of play.

- > Turn over the mouse and find the three screws (L).
- > Remove any of the three screws (use either a screwdriver or a coin of the appropriate width).
- > Remove the weight and replace the screw, or remove the screw and weight, depending on your preference.



For use only with NRTL listed end product and Mouse Rating: 5V/200mA

CAUTION!
The manufacturer is not responsible for any radio or TV interference caused by unauthorized modifications to this equipment. Such modifications could void the user authority to operate the equipment.

FCC WARNING: Changes or modifications not expressly approved by CORSAIR MEMORY, Inc could void the user's authority to operate the equipment.

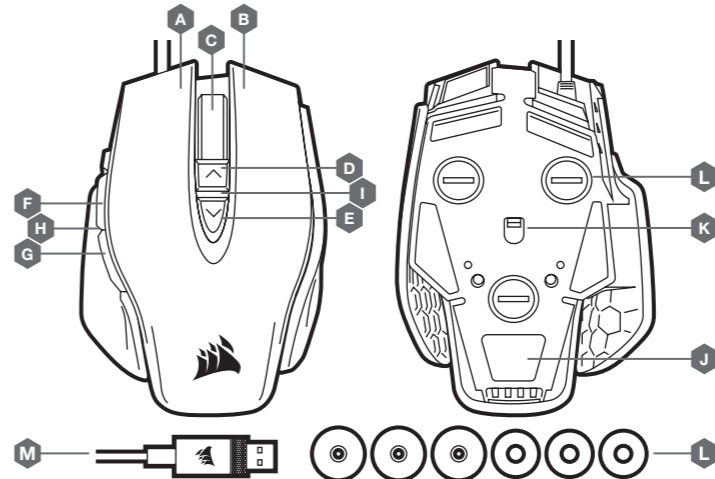
This equipment has been tested and found to comply with the limits for a Class B digital device, pursuant to part 15 of the FCC Rules. These limits are designed to provide reasonable protection against harmful interference in a residential installation. This equipment generates, uses and can radiate radio frequency energy and, if not installed and used in accordance with the instructions, may cause harmful interference to radio communications. However, there is no guarantee that interference will not occur in a particular installation. If this equipment does cause harmful interference to radio or television reception, which can be determined by turning the equipment off and on, the user is encouraged to try to correct the interference by one or more of the following measures:

- > Reorient or relocate the receiving antenna.
- > Increase the separation between the equipment and receiver.
- > Connect the equipment into an outlet on a circuit different from that to which the receiver is connected.
- > Consult the dealer or an experienced radio/TV technician for help.

This device must not be co-located or operating in conjunction with any other antenna or transmitter. Operation is subject to the following two conditions:
(1) this device may not cause harmful interference, and
(2) this device must accept any interference received, including interference that may cause undesired operation.

PRÉSENTATION DE LA SOURIS

Tous les boutons de la souris peuvent être programmés à l'aide d'un logiciel. Voici les paramètres par défaut.



- | | |
|-----------------------------------|----------------------------|
| A — BOUTON CLIC GAUCHE | H — BOUTON SNIPER |
| B — BOUTON CLIC DROIT | I — TÉMOIN LED DES PPP |
| C — BOUTON CLIC MILIEU | J — PATINS EN PTFE |
| D — BOUTON D'AUGMENTATION DES PPP | K — CAPTEUR DE JEU OPTIQUE |
| E — BOUTON DE RÉDUCTION DES PPP | L — SYSTEME DE POIDS |
| F — BOUTON SUIVANT | M — CÂBLE DE CONNEXION USB |
| G — BOUTON PRÉCÉDENT | |

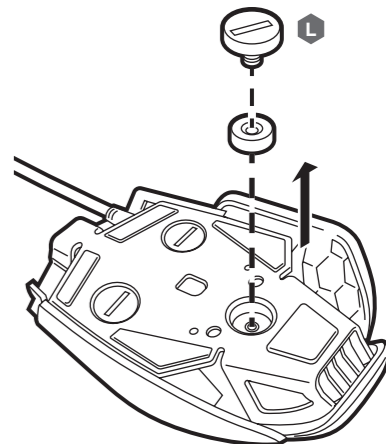
CONFIGURATION DE LA SOURIS

- > Allumez votre ordinateur.
- > Branchez la souris sur un port USB 2.0 ou USB 3.0 disponible sur votre ordinateur.
- > Téléchargez le logiciel iCUE sur www.corsair.com/downloads.
- > Exécutez le programme d'installation.
- > Suivez les instructions d'installation.

AJUSTER LE SYSTÈME DE POIDS DE LA SOURIS

Le poids de votre souris M65 RGB ELITE peut être personnalisé pour s'adapter à votre style de jeu.

- > Retournez la souris et trouvez les trois vis (L).
- > Retirez n'importe laquelle des trois vis (utilisez un tournevis ou une pièce de monnaie ayant la largeur appropriée).
- > Retirez le poids et remplacez la vis ou retirez la vis et le poids en fonction de vos préférences.



M65 RGB ELITE



WEB: corsair.com
 PHONE: (888) 222-4346
 SUPPORT: support.corsair.com

BLOG: corsair.com/blog
 FORUM: forum.corsair.com
 YOUTUBE: youtube.com/corsairhowto

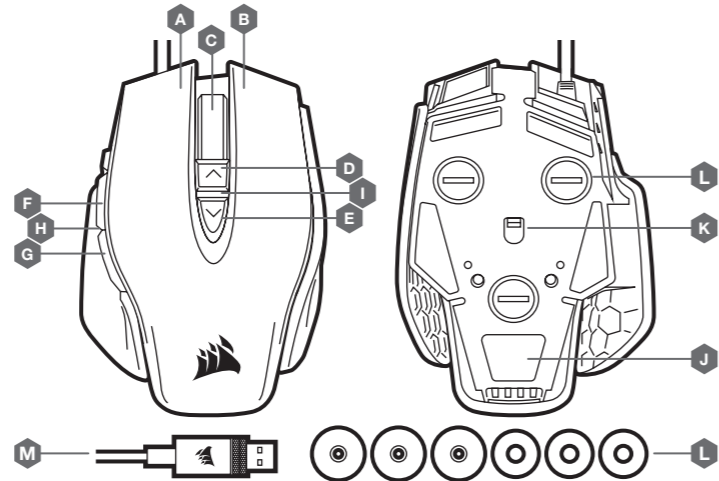
© 2018 CORSAIR MEMORY, Inc. All rights reserved. CORSAIR and the sails logo are registered trademarks in the United States and/or other countries. All other trademarks are the property of their respective owners. Product may vary slightly from those pictured. 49-001757 AA



ESPAÑOL

CONOZCA SU MOUSE

Todos los botones del mouse pueden programarse mediante software. Esta es la configuración predeterminada.



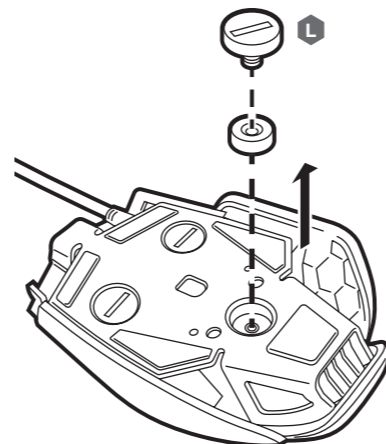
- | | |
|-----------------------------|-----------------------------------|
| A — BOTÓN DE CLIC IZQUIERDO | H — BOTÓN FRANCOTIRADOR |
| B — BOTÓN DE CLIC DERECHO | I — INDICADOR LED DE DPI |
| C — BOTÓN DE CLIC MEDIO | J — COJINES DE DESLIZAMIENTO PTFE |
| D — BOTÓN DE DPI ARRIBA | K — SENSOR ÓPTICO DE JUEGOS |
| E — BOTÓN DE DPI ABAJO | L — SISTEMA DE PESO |
| F — BOTÓN ADELANTE | M — CABLE DE CONEXIÓN USB |
| G — BOTÓN ATRÁS | |

CONFIGURACIÓN DEL MOUSE

- > Encienda su equipo.
- > Conecte el mouse a un puerto USB 2.0 o 3.0 disponible en su computadora.
- > Descargue el software de iCUE en www.corsair.com/downloads.
- > Ejecute el instalador.
- > Siga las instrucciones para completar la instalación.

AJUSTE DEL SISTEMA DE PESO DEL MOUSE

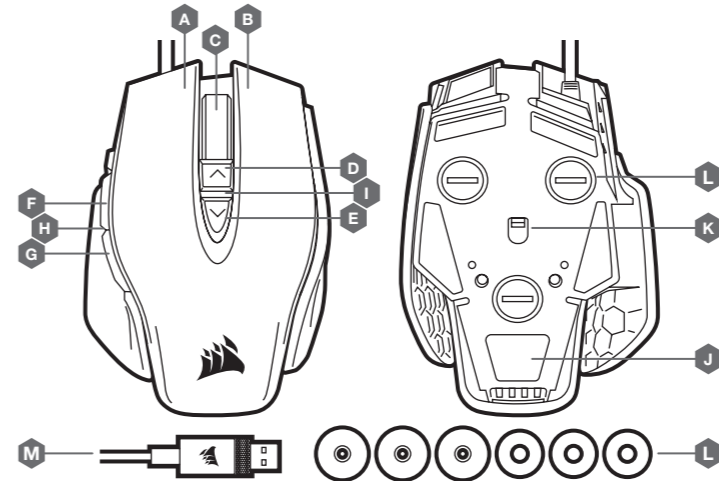
- Puede personalizar el peso del M65 RGB ELITE según su estilo de juego.
- > Dé vuelta el mouse y busque los tres tornillos (L).
 - > Extraiga uno de los tres tornillos (use un destornillador o una moneda del tamaño adecuado).
 - > Extraiga la pesa y vuelva a colocar el tornillo o extraiga el tornillo y la pesa, según su preferencia.



ESPAÑOL

CONHEÇA O MOUSE

Todos os botões do mouse podem ser programados no software. Estas são as configurações padrão.



- | | |
|-------------------------------|-----------------------------------|
| A — BOTÃO DE CLIQUE ESQUERDO | H — BOTÃO DE ATIRADOR |
| B — BOTÃO DE CLIQUE DIREITO | I — INDICADOR LED DO DPI |
| C — BOTÃO DE CLIQUE CENTRAL | J — ALMOFADAS DESLIZANTES DE PTFE |
| D — BOTÃO PARA AUMENTAR O DPI | K — SENSOR ÓPTICO PARA JOGOS |
| E — BOTÃO PARA DIMINUIR O DPI | L — SISTEMA DE PESO |
| F — BOTÃO PARA AVANÇAR | M — CABO DE CONEXÃO USB |
| G — BOTÃO PARA VOLTAR | |

PORTUGUÊS

CONFIGURAÇÃO DO MOUSE

- > Ligue o computador.
- > Conecte o mouse a uma porta USB 2.0 ou USB 3.0 do computador.
- > Baixe o software iCUE em www.corsair.com/downloads.
- > Execute o programa de instalação.
- > Siga as instruções de instalação.

AJUSTE DO SISTEMA DE PESO DO MOUSE

- O peso do mouse M65 RGB ELITE pode ser personalizado para o seu estilo de jogo.
- > Vire a parte inferior do mouse para cima para ver seus três parafusos (L).
 - > Remova um desses três parafusos (com o auxílio de uma chave de fenda ou moeda de espessura apropriada).
 - > Remova o peso e recoloca o parafuso ou remova o peso e o parafuso se preferir.

