

OBSIDIAN SERIES

BRILLIANT DESIGN, INSIDE AND OUT™

corsair.com

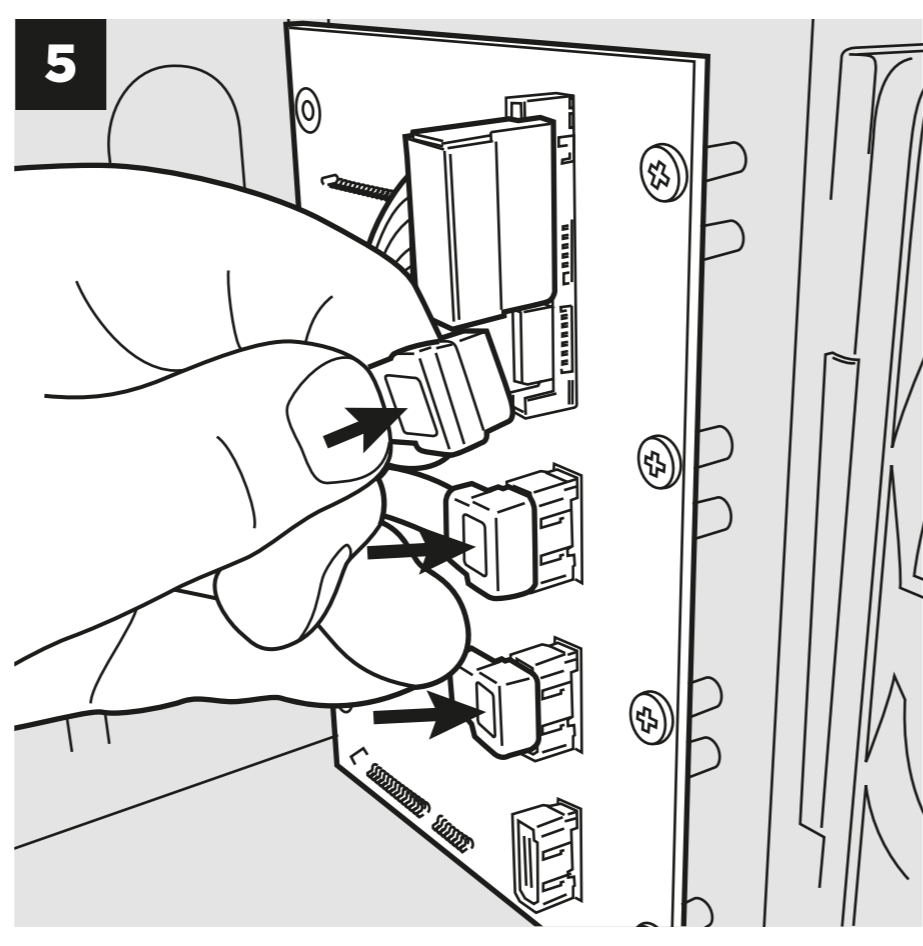
EMAIL: support@corsair.com
FACEBOOK: facebook.com/corsairmemory
BLOG: blog.corsair.com

FORUM: forum.corsair.com
TWITTER: twitter.com/corsairmemory
AUDIO PAGE: corsair.com/audio

USA and CANADA: (800) 205-7657 | INTERNATIONAL: (510) 657-8747 | FAX: (510) 657-8748

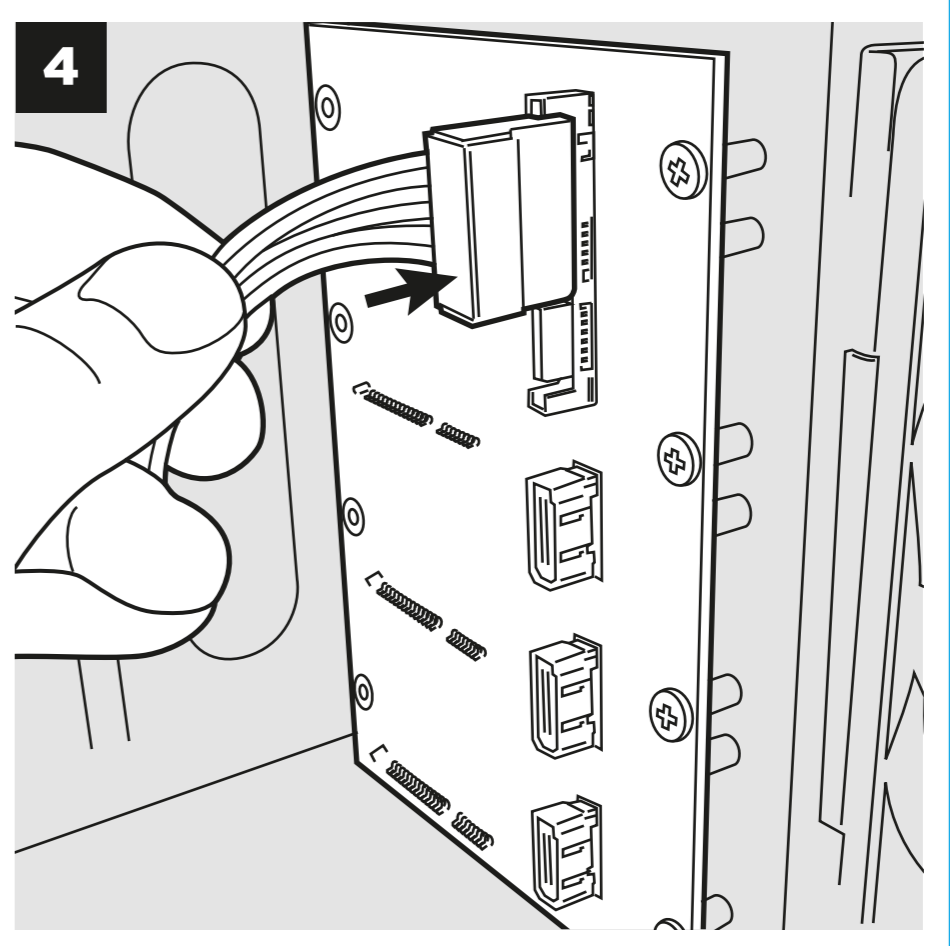
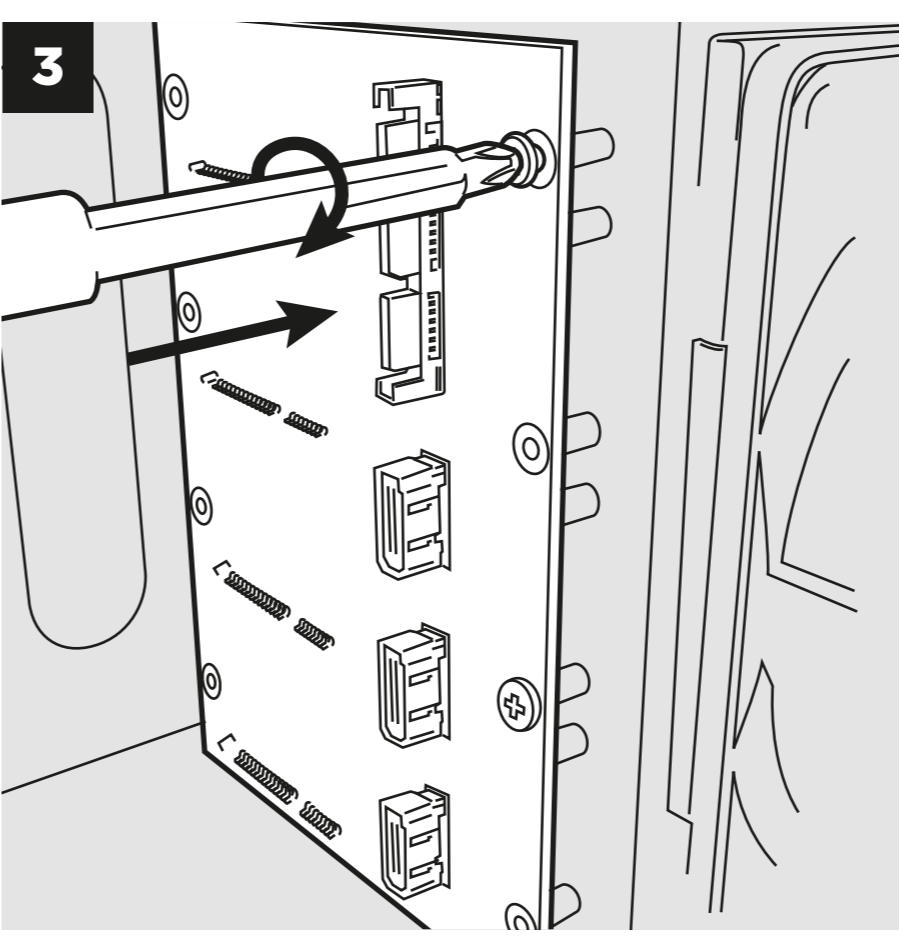
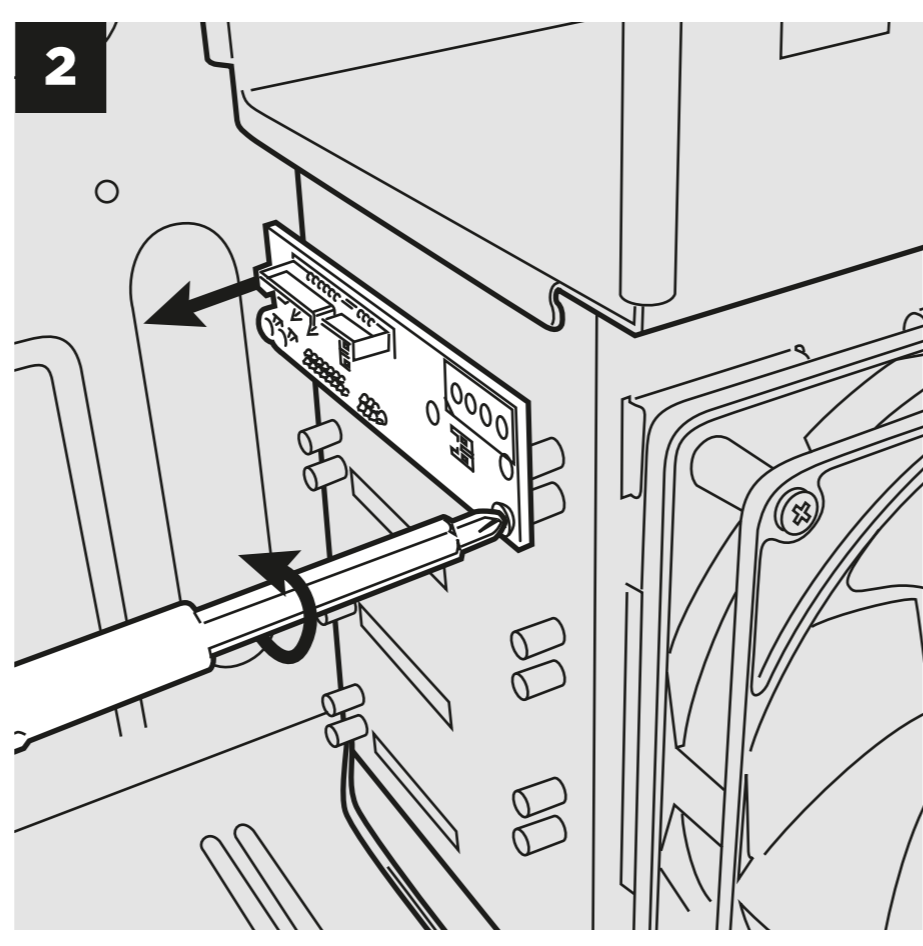
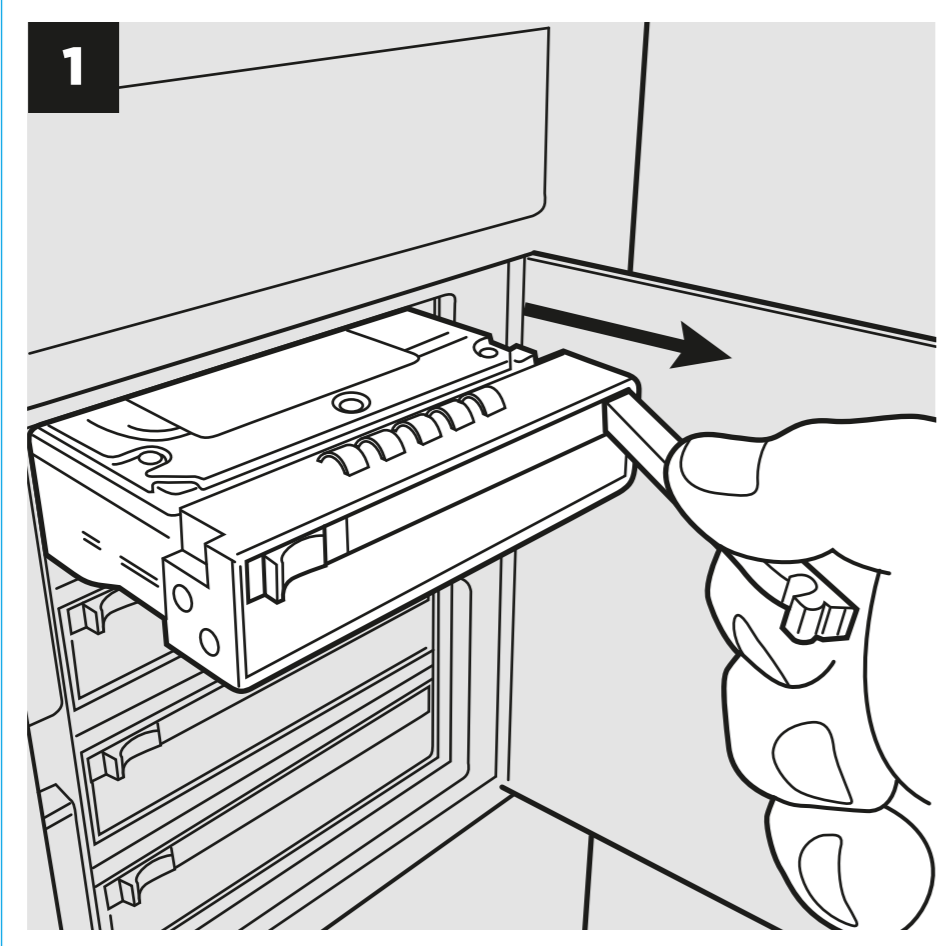
CORSAIR
45221 Landing Parkway • Fremont • California • 94538 • USA

© 2010 Corsair, Inc. All rights reserved. Corsair and the sails logo are registered in the United States and/or other countries. All other trademarks are the property of their respective owners. Product may vary slightly from those pictured. Document Number: 49-000020 rev AA.



CORSAIR **OBSIDIAN SERIES**

SATA 6GBPS UPGRADE KIT
for OBSIDIAN 800D only



BLACK

OBSIDIAN SERIES SATA UPGRADE QSG

Part Number: 49-000020 rev AA
Date: Friday December 3 2010

Finished Size: 127mm x 127mm
Flat Sheet Size: 508mm x 127mm

Stock: 100# Matrix Dull White Text

Dimensions indicated are specified in millimeters and are maximum tolerances | RoHS compliant card stock and ink must be used